



BROKIS®

CM12223

# MONA

PENDENT M, L - PC979, PC938



### COMPONENTS INCLUDED WITH UNIT:

1x assembled light  
1x ceiling bracket with ceiling canopy  
1x hex key  
2x set screw M5x16  
1x strap adjuster  
4x terminal connectors  
1x terminal box  
1x cotton gloves  
1x installation manual

### WARNING:

**Installation must be carried out by a qualified electrician only.**

**Switch off power at main circuit panel prior to installation!**

**The manufacturer assumes no liability for damage occurring in transport or resulting from incorrect installation.**

**Installation time: 30 minutes / 2 persons**



BROKIS®

BROKIS S.R.O.  
ŠPANIĚLOVA 1315/25  
163 00 PRAHA 6 - ŘEPY  
CZECH REPUBLIC

ORG. ID 64940799  
VAT ID CZ64940799  
C 42174 MĚSTSKÝ SOUD  
V PRAZE

TEL +420 567 211 517  
TECHNICAL@BROKIS.CZ  
INFO@BROKIS.CZ  
WWW.BROKIS.CZ



### CLEANING THE GLASS

**BROKIS applies the highest possible quality standards in manufacturing its lights. Prior to shipping, each light undergoes several quality controls and stages of cleaning. Lights may require additional cleaning as a result of transportation, storage, and the amount of time that passes between packing in our plant and subsequent unpacking by the client. Therefore, we emphasize cleaning the lights prior to installation.**

**The glass must first be rinsed in hot water, with a dilution of a dish-detergent used to remove all foreign particles and dust. Eventually repeat this basic treatment, if necessary. Afterwards the glass must have a second cleaning using hot water, with a dilution of a de-greaser (such as ammonia or vinegar). The glass must then be thoroughly rinsed with running hot water. Eventually repeat this treatment, if necessary. The glass is then thoroughly dried with a paper towel or a clean soft cotton towel. Only re-assemble the glass to the lamp body, when completely cooled down.**

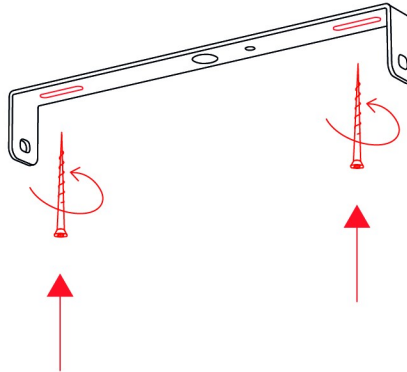
**Do not use mineral spirits, highly concentrated thinners, or other substances not intended for use on glass surfaces. Also: do not use products, containing silicones – since they will rapidly attract more dust and grease.**

**PRIOR TO SHIPPING, THE FUNCTIONALITY OF EACH LIGHT AND ITS COMPONENTS IS THOROUGHLY TESTED. THE MANUFACTURER ASSUMES NO LIABILITY FOR THE MISHANDLING OF PRODUCTS.**



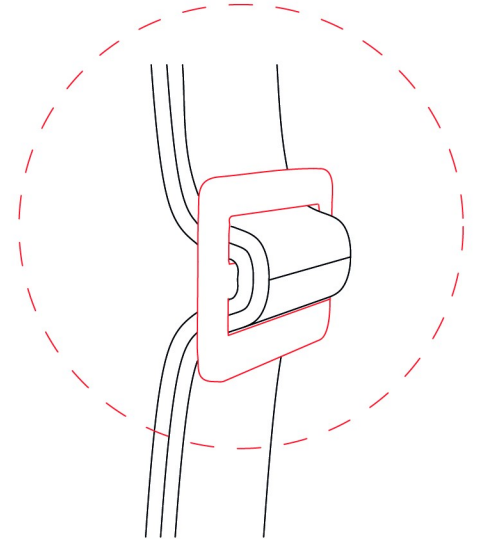
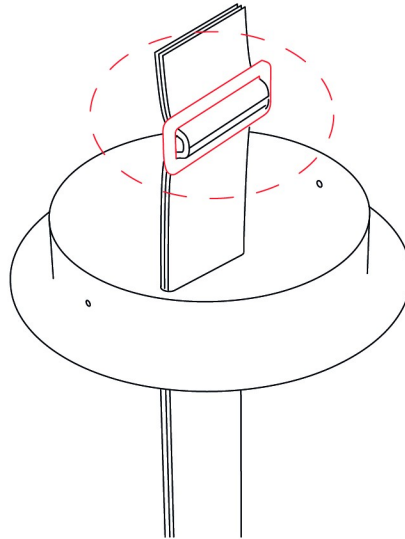
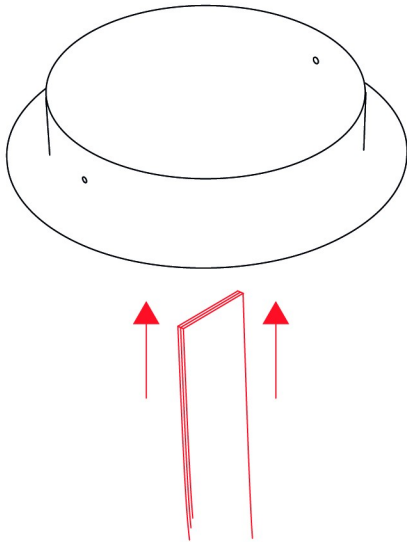
## 1. INSTALLING THE CEILING BRACKET

Using anchors of sufficient strength (not included), secure the bracket to the ceiling. With regard to various types of ceilings, we recommend consulting installation with an expert. The manufacturer assumes no liability for incorrect installation, the use of improper anchors, or defects in the material to which the bracket is secured.



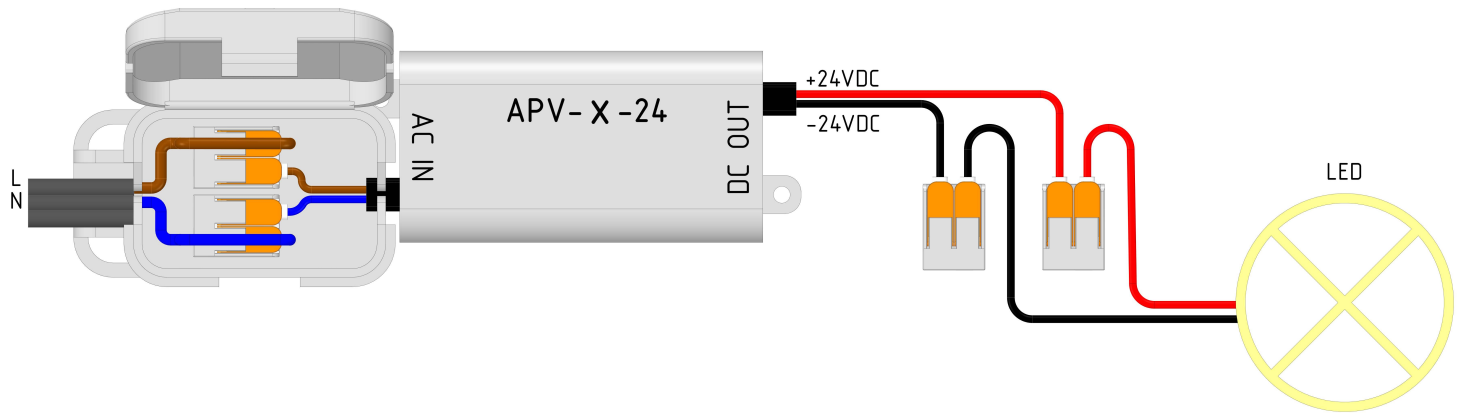
## 2. INSTALLING THE LIGHT

Pass the two suspension straps through the opening in the ceiling canopy. From inside the canopy, secure the straps with the strap adjuster and then adjust their length to set the angle of the light.



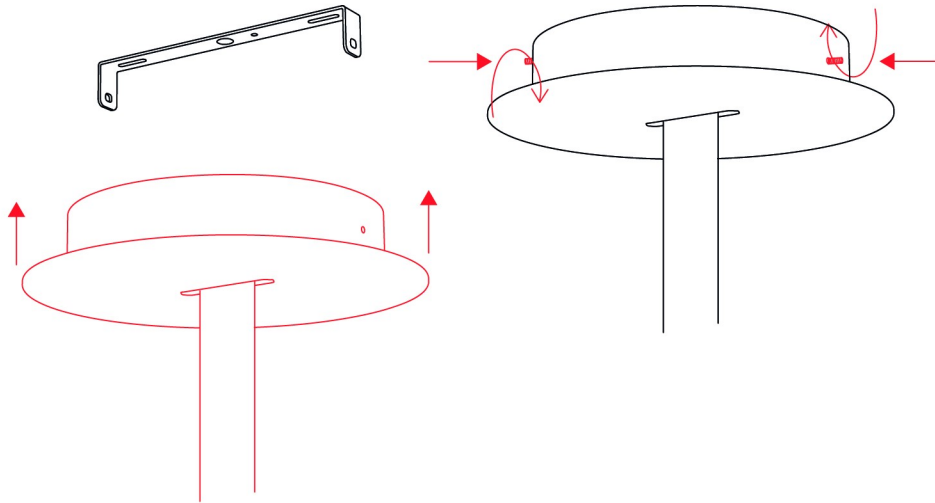
### 3. CONNECTING THE LIGHT TO THE BUILDING WIRING – KNOT

Connect the light to the building wiring according to the connection diagram.



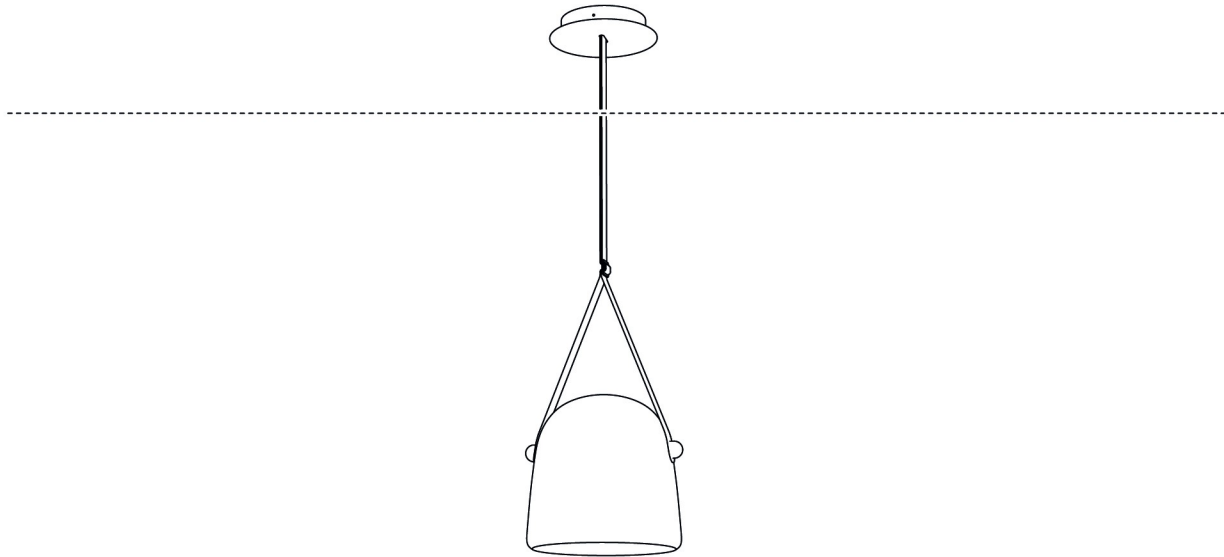
#### 4. INSTALLING THE CEILING CANOPY

Using the two hex screws M5 x 16 and hex key, attach the ceiling canopy to the bracket.



## 5. SWITCHING ON THE LIGHT

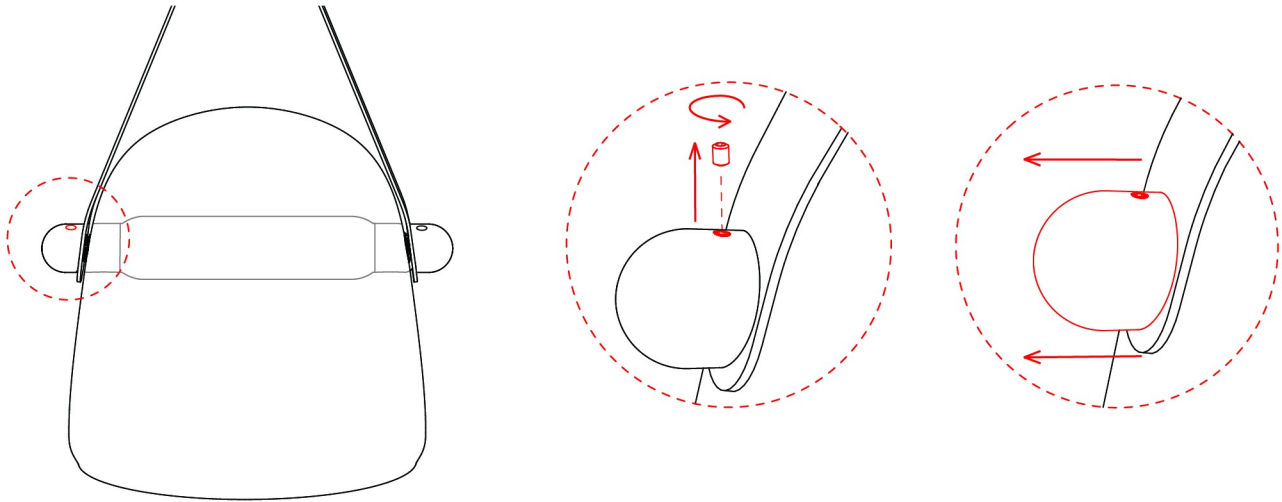
Restore power at the main circuit panel and verify that the light works properly.





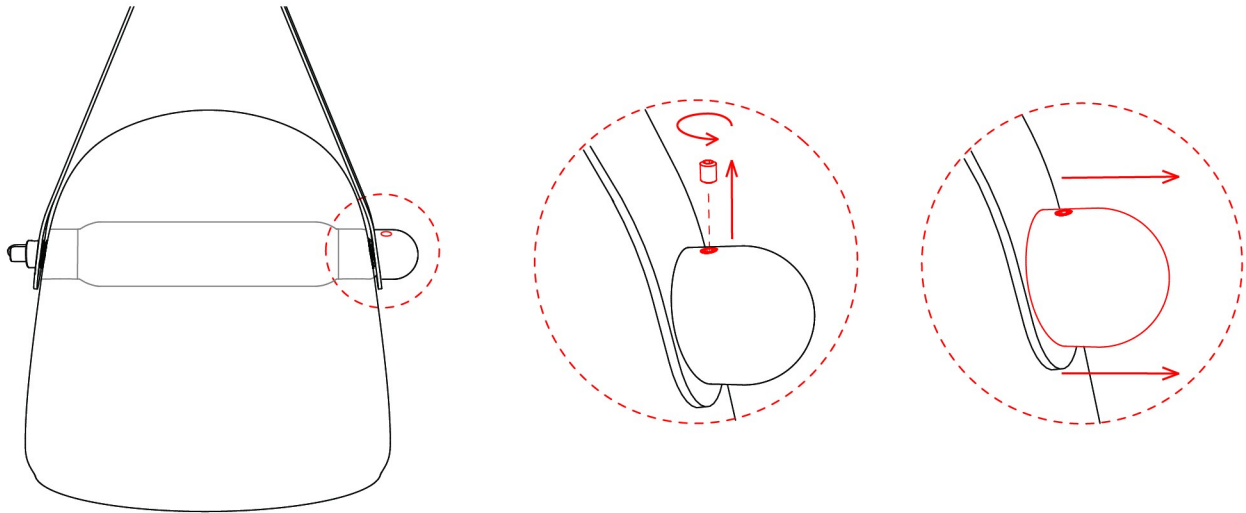
## 6. REMOVING THE OUTER CAP

Use the hex key to loosen the set screw in the outer cap of the light source and remove the cap.



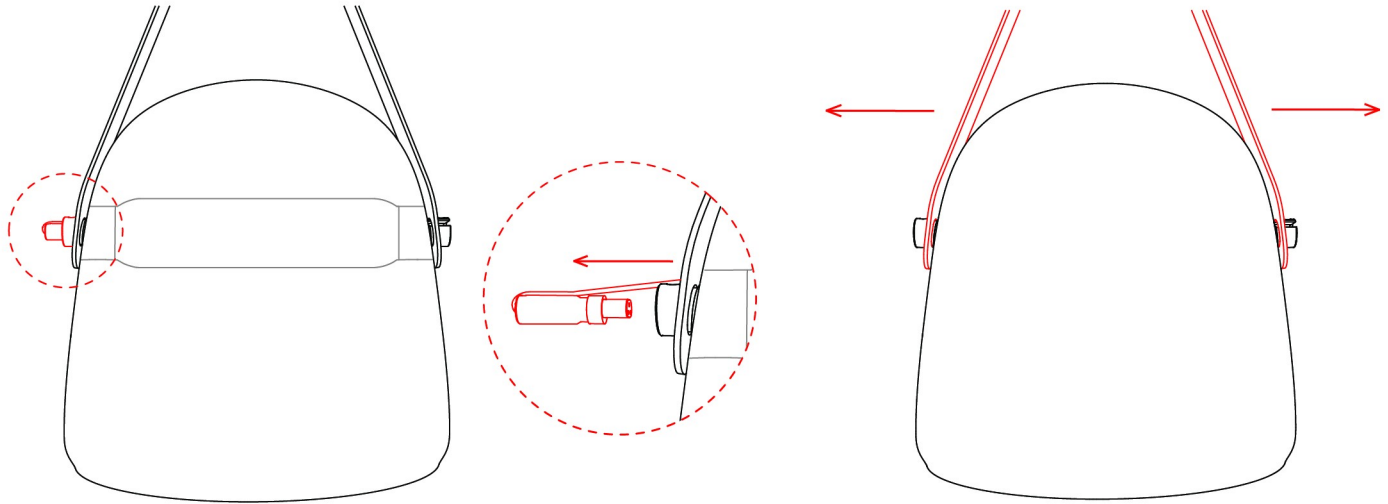
## 7. REMOVING THE OUTER CAP

Use the hex key to loosen the set screw in the other outer cap of the light source and remove the cap.



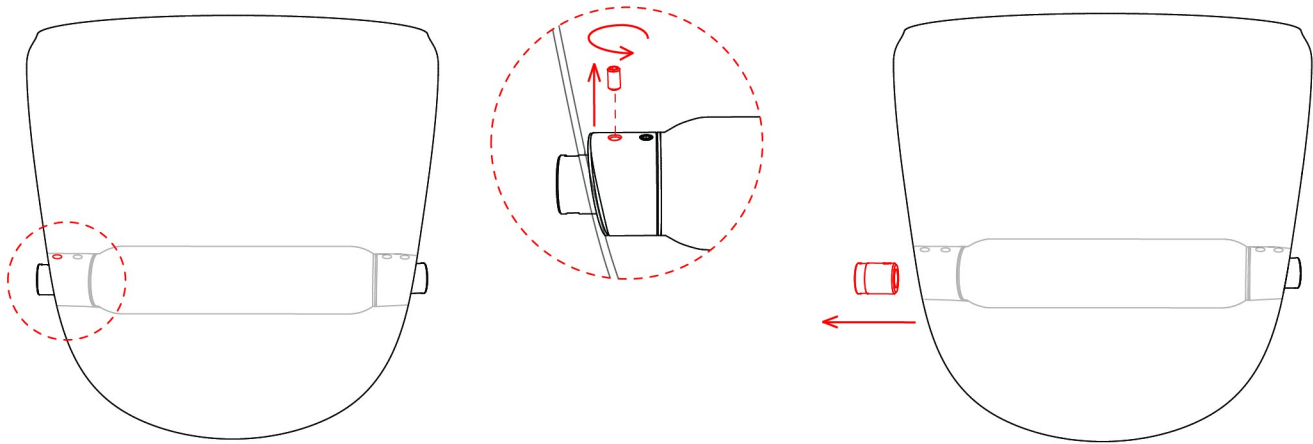
## 8. REMOVING THE CONNECTOR AND LEATHER STRAPS

Remove the connector by detaching it from the light source and then slide the straps off the locking cylinder.



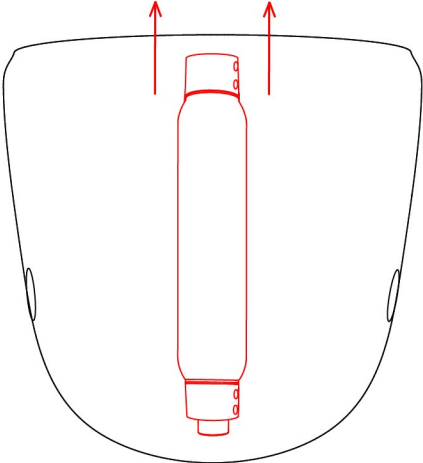
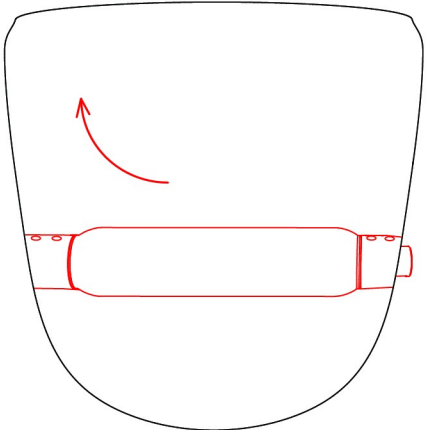
## 9. REMOVING THE LIGHT SOURCE LOCKING CYLINDER

Use the hex key to loosen the set screw in the inner cap of the light source. Next, remove the locking cylinder by pulling it out of the shade while holding the light source in place.



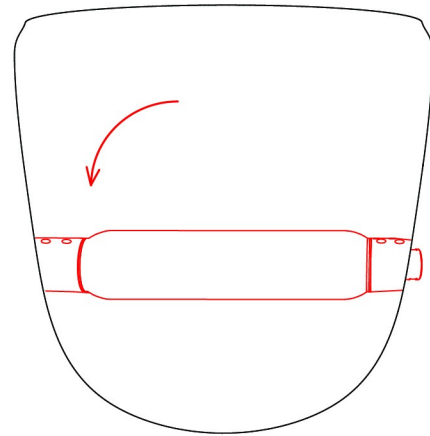
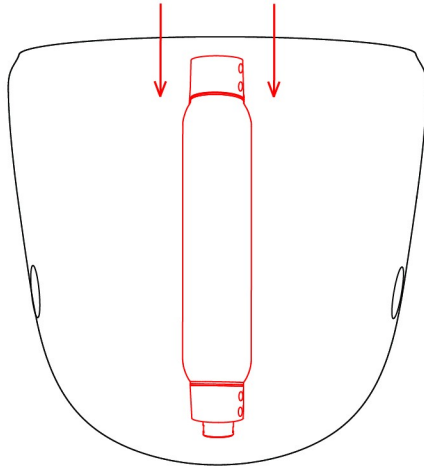
10. REMOVING THE LIGHT SOURCE

Remove the light source from the glass shade.



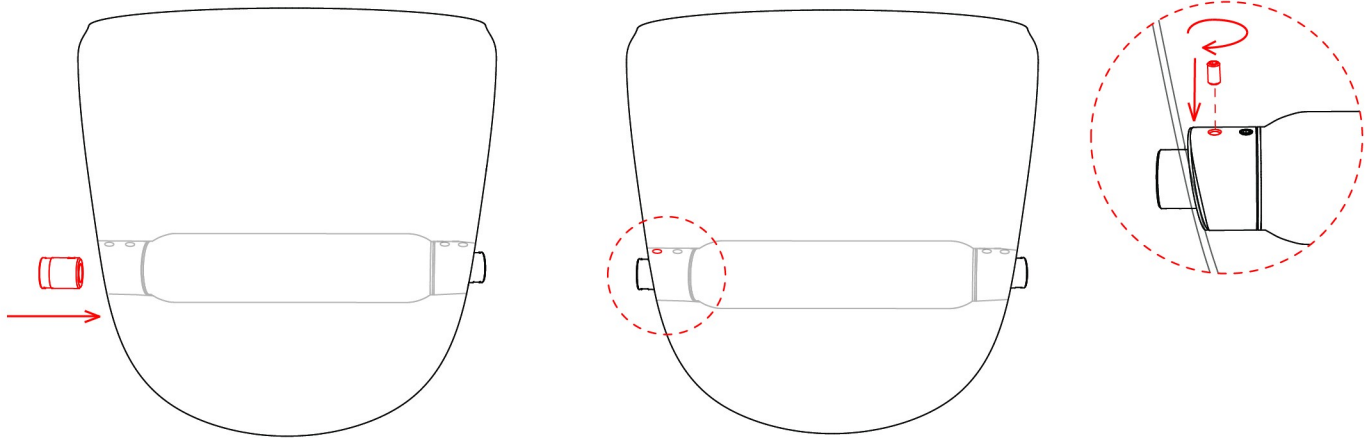
## 11. INSTALLING THE LIGHT SOURCE

Position the light source in the glass shade so that it fits neatly in the holes. If the light source is loose in the holes, add another seal, position it in the holes again, and check for a snug fit.



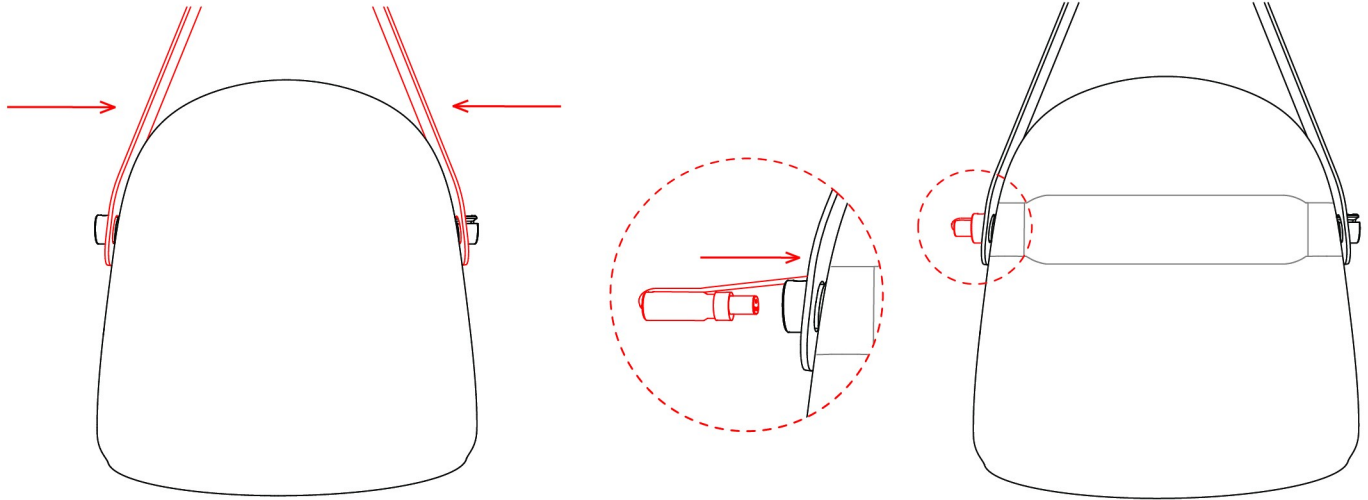
## 12. INSTALLING THE LOCKING CYLINDER

Insert the aluminium locking cylinder through the hole in the glass and into the light source until the dimple in the cylinder is aligned with the set screw in the inner cap.



## 10. REINSTALLING THE CONNECTOR AND LEATHER STRAPS

Slide the leather straps over the locking cylinders and reattach the connector to the light source.





## 14. INSTALLING THE OUTER CAPS

Press the outer caps over the locking cylinders until flush against the leather straps. Press gently while tightening the set screws.

